

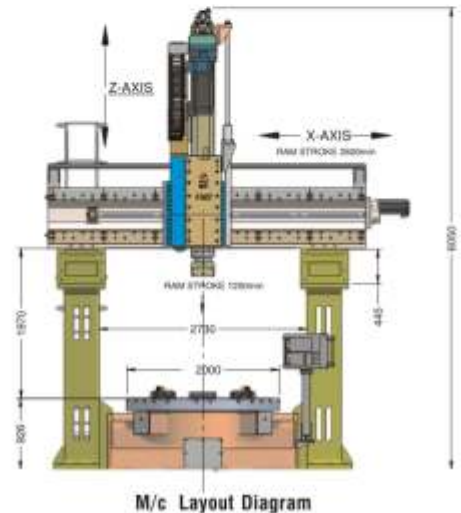
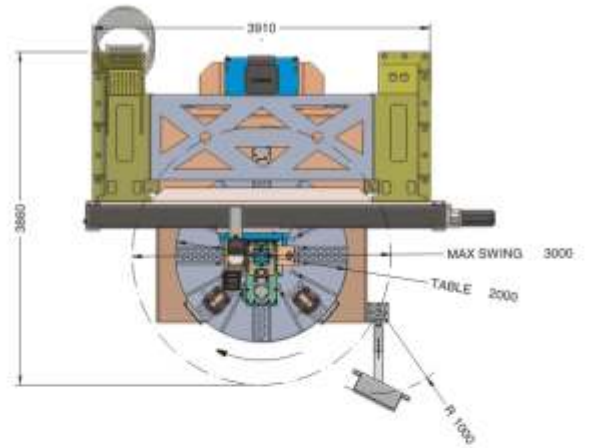


VC SERIES DOUBLE COLUMN VERTICAL LATHES

- Double column robust vertical lathes
- Servo digital controlled - Precision slides
- Large Dia tables suitable for heavy jobs
- Variable speed table high torque 2 stage drive
- High graded rigid cast iron structures
- Built in 4 Jaw robust chuck
- Ergonomically designed control pendent
- Effective swarf management system
- Optional variants for complete solution
- Latest Fanuc / Siemens controllers

SPECIFICATION : VTL

Specification	Unit	VC50	VC60	VC75
Capacity				
Max. Swing	mm	1250/1600	1600/2000	2000/3000
Max turning dia range	mm	∅300 to ∅1600	∅300 to ∅2000	∅300 to ∅3000
Max work piece height	mm	1200	1200	1200
Max. weight of work piece	kg	7000	10000	12000
Cross axis X axis				
Stroke of cross axis	mm	800	1000	1500
Ball screw size Dia x Pitch	mm	50x10 P		
Resolution	mm	0.001 mm.		
Axis motor torque/power	Nm	30		
Rapid Rate	mm / min	6000		
Max feed rate	mm / min	5000		
Rotary Table				
Rotary table size	mm	∅1250/∅1600	∅1600/∅2000	∅2000/∅3000
Table Drive power	kW	22/30	50/60	60/75
Speed range	Rpm	20-200	20-150	10-100
Speed Ranges	Nos	2	2	2
T slot size	mm	28	28	28
Vertical Axis Z Axis				
Stroke	mm	1000		
Ball screw size Dia x Pitch	mm	50*10		
Resolution	mm	0.001mm min Increment		
Axis motor torque/power Two Type	Nm	30		
Rapid Rate	mm / min	6000		
Max feed rate	mm / min	5000		
Ram				
Size For turning machine Approx	mm	250x250	250x250	300x300
Tool Holder Taper	ISO 50/BT50	ISO 50	ISO 50	ISO 50
Tool Holders	ISO 50/BT50	ISO 50	ISO 50	ISO 50
Hydraulic System				
Pump Capacity	lpm	30		
Power (Two Type)	kW	1.5		
Tank Capacity (Two Type)	liter	60		
Operating Pressure	bar	60		
Lub System				
Power	kW	0.18		
Tank Capacity	liter	8		
Operating Pressure	bar	15 TO 20		
Coolant System				
Power (Two Type)	kW	3.7		
Tank Capacity (Two Type)	liter	400		
Operating Pressure	bar	6 bar		
Pneumatic system				
Operating Pressure	bar	4±1 bar		
Chip conveyor(Optional)				
Chip conveyor With Chip Trolley	type	Slat		
CNC System / Electrical				
Make	Fanuc/ Siemens			
Model	OiT F + / Siemens 828D			
Electrical Supply	3x415V, 50Hz			
Machine Wt. / Dimension (approx)				
Length	mm	5500**		
Width	mm	4500**		
Height	mm	3500**		
Weight (Approx)	Kg	25000**		
Machine Accuracy(As per JIS Std)				
Positioning Accuracy	mm/500mm	0.015		
Repeatability +/-	mm	0.01		
Test chart	PMTML	PMTML		
Optional				
Live Spindle Speed Variable in 2 Ranges	rpm	16-500	16-750	16-1000
Live Spindle Motor Power	Kw	18/22	18/22	18/22
2 Stage Gear Box	Nos	2	2	2
Chip conveyor With Chip Trolley	type	Slat		
Auto Tool Changer	Nos	12/20	12/20	12/20



PIIT MACHINES LIMITED

Head Office & Works : P.O.Box No. 1102, Behind PCMC Building, Mumbai-Pune Road, Pimpri, Pune - 411 018 (India)

Tel. No. - +91-20-27426219 to 23

E-mail - rd@pmtmachines.com, marketing@pmtmachines.com

Website - www.pmtmachines.com

Halol Works : 178, Kadachala, Halol - 389350, Gujarat (India)

Tel. No. - +91-02676-246786/87

E-mail - cb@pmtmachines.com, mkt.brd@pmtmachines.com

Sales and Service Network

MUMBAI Mobile. No - 98217 13400 | 93217 13400

NEW DELHI Mobile. No - 98104 01815

BANGALORE Mobile. No - 99860 48173

CHENNAI Mobile. No - 98401 02157

COIMBATORE Mobile. No - 98403 66822

JAMSHEDPUR Mobile. No - 99341 19234

VADODARA Mobile. No - 96625 03927

KOLKATA Mobile. No - 70034 85126

KOLHAPUR Mobile. No - 97305 76789

E-mail - pmtmumbai@pmtmachines.com | pmtmumbai@gmail.com

E-mail - pmtdelhi@pmtmachines.com

E-mail - pmtbangalore@pmtmachines.com | pmtbangalore6@gmail.com

E-mail - pmtchennai@machines.com | pmtmadras02@gmail.com

E-mail - pmtcbe@gmail.com | marketing@pmtmachines.com

E-mail - dalbir34singh@rediffmail.com | pmtjsr@gmail.com

E-mail - mkt.brd@pmtmachines.com

E-mail - pmtkolkata@gmail.com | marketing@pmtmachines.com

E-mail - ssd@pmtmachines.com | marketing@pmtmachines.com